

Push Switch (PSL-1 Series)

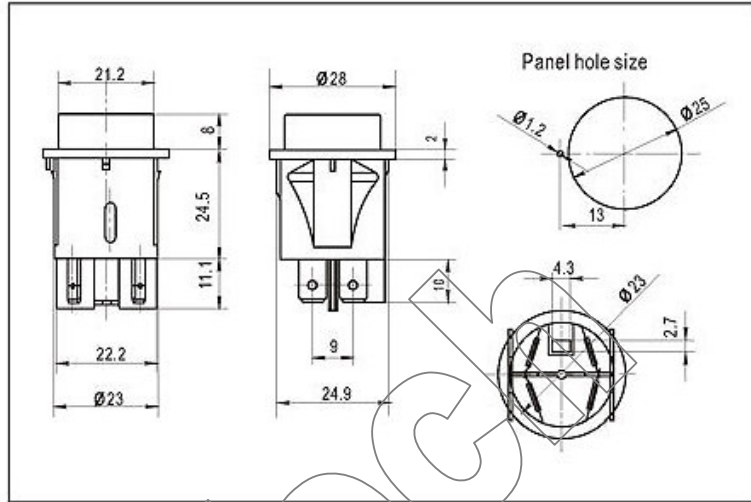


SPECIFICATIONS

16 (4) A 250VAC 1E4 T125/55
 10 (4) A 250VAC 5E4 T125/55
 3/4HP 250VAC
 1/2HP 250VAC
 16A 250VAC T105



ROHS Compliance

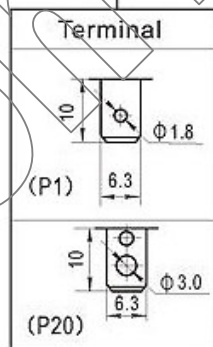


EXPLANATION MODEL NUMBER

PSL - 1 - 21/N - RE/BK - P1 - 0 (2)

Function	
21/N	ON-OFF 4P w/lamp
21	ON-OFF 4P
21(ON)	(ON)-OFF 4P
21(ON)/N	(ON)-OFF 4P w/lamp
11	ON-OFF 2P
11(ON)	(ON)-OFF 2P
00	Indicator Lamp

Color Cap/Housing	
BK	Black
WT	White
RE	Red
OR	Orange
GR	Green



O	Nothing
P	PVC-Cap

Votoge	
1	110VAC
2	220VAC
3	12VDC
4	24VDC